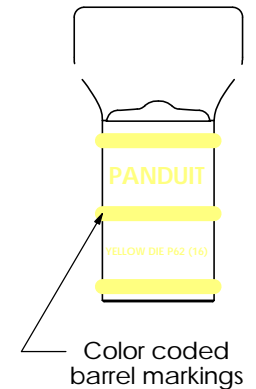
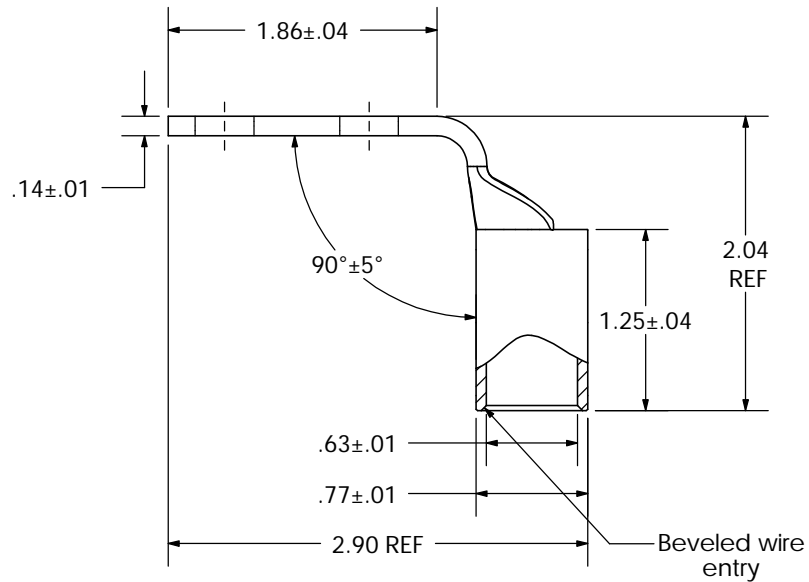
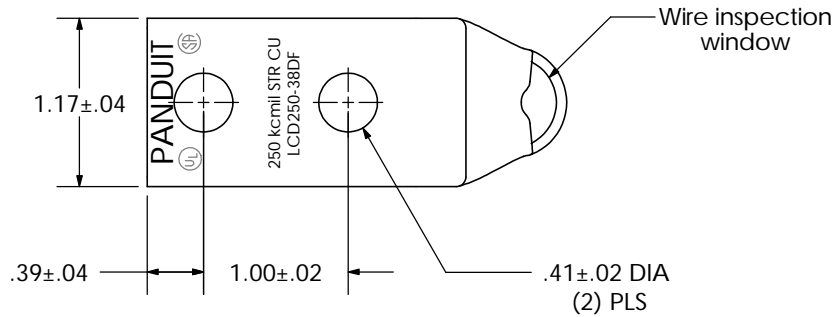


THIS COPY IS PROVIDED ON A RESTRICTED BASIS AND IS NOT TO BE USED IN ANY WAY DETRIMENTAL TO THE INTERESTS OF PANDUIT CORP.

Material	High Conductivity Seamless Copper Tube
Plating	Electro-Tin
Wire Size	250 kcmil
Wire Type	Stranded Copper; Class B: Compact, Compressed or Concentric, Class C: Concentric
Wire Strip Length	1-5/16 in.
Stud Size	3/8 in.
UL Listed Wire Connector	Yes, for applications up to 35kv. Consult cable manufacturer for voltage stress relief instructions with applications greater than 2000 volts.
UL Temperature Rating	90° C
C.S.A Certified Wire Connector	Yes
Panduit Color Code on Barrel	YELLOW
Panduit Die Index No. on Barrel	P62
Alternate Industry Die Index No. ( ) on Barrel	(16)



**PANDUIT CORP.** TINLEY PARK, ILLINOIS

LCD250-38DF-X  
Copper Lug - Two-Hole, Standard Barrel, 90° Angle Tongue

02	4/06	DRL	DRL	Added kcmil to 250 STR CU	PC00373
REV	DATE	BY	CHK	DESCRIPTION	ECN

SCALE	N/A	DRAWING NO / CAD FILE	LCD250-38DF-CUST
-------	-----	-----------------------	------------------